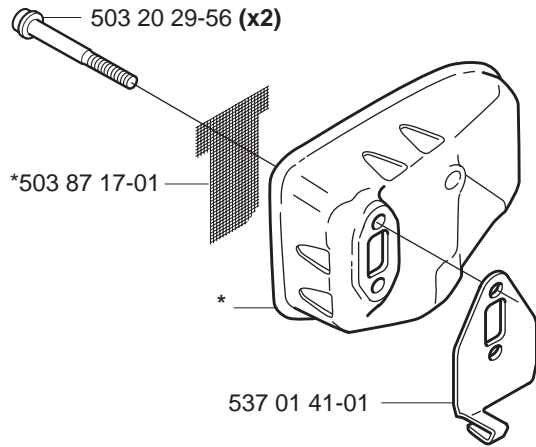
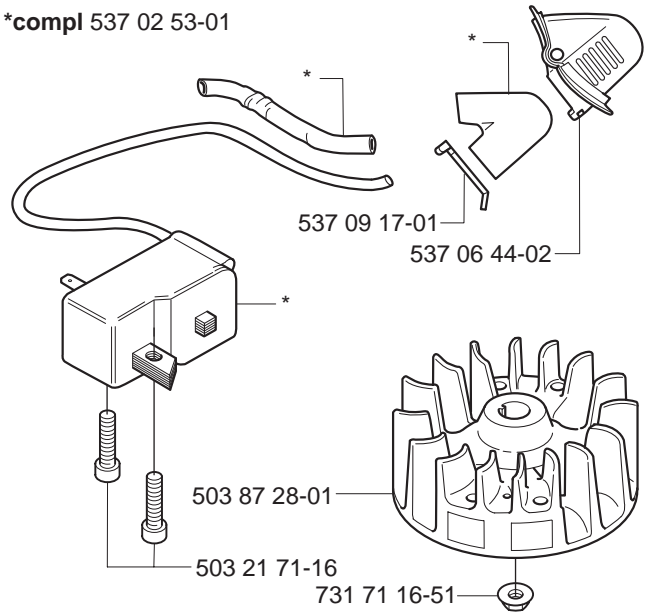


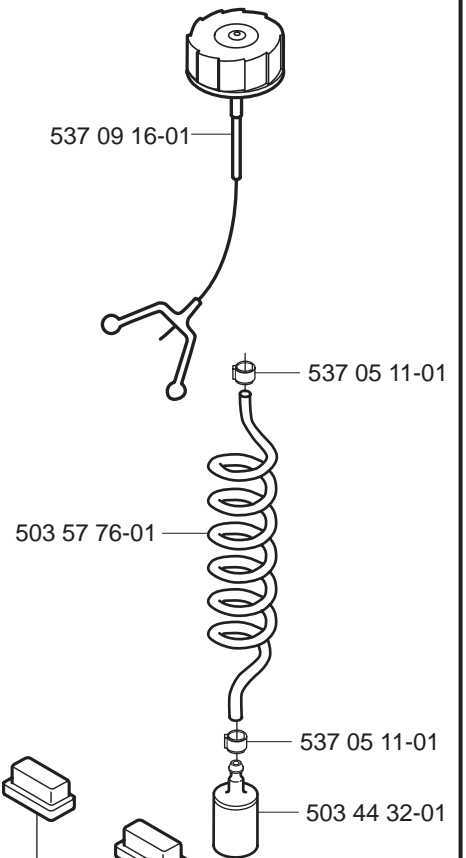
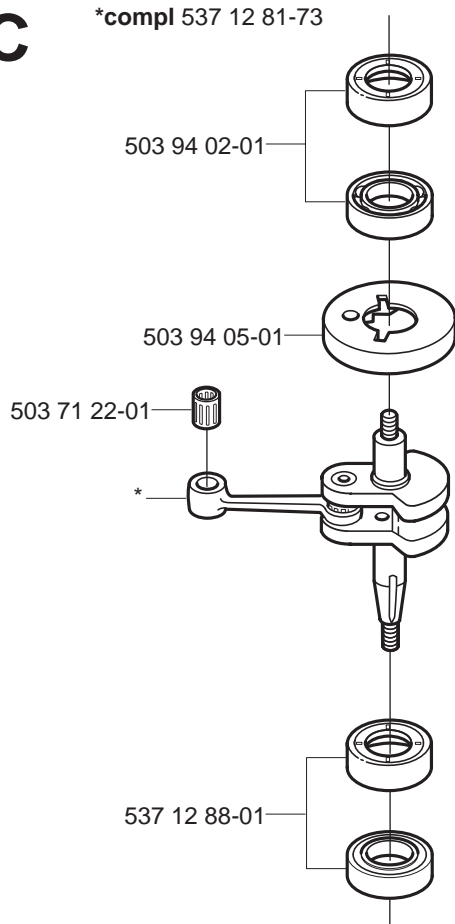
A *compl 537 04 57-01



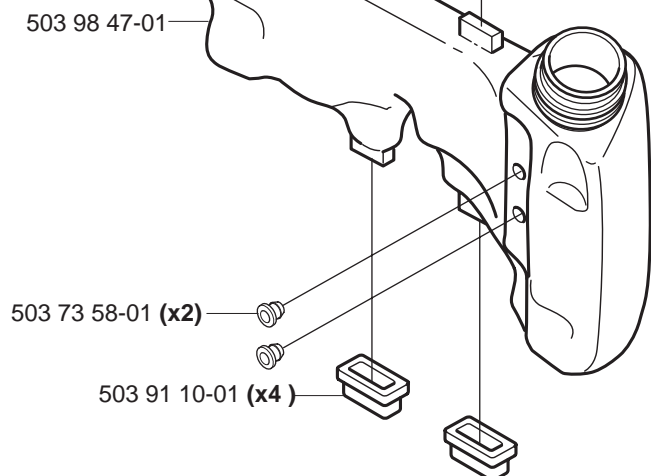
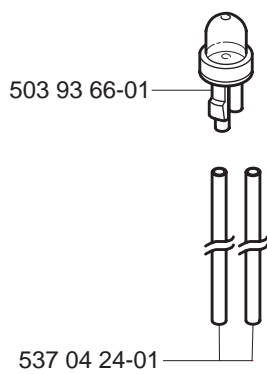
B *compl 537 02 53-01



C *compl 537 12 81-73

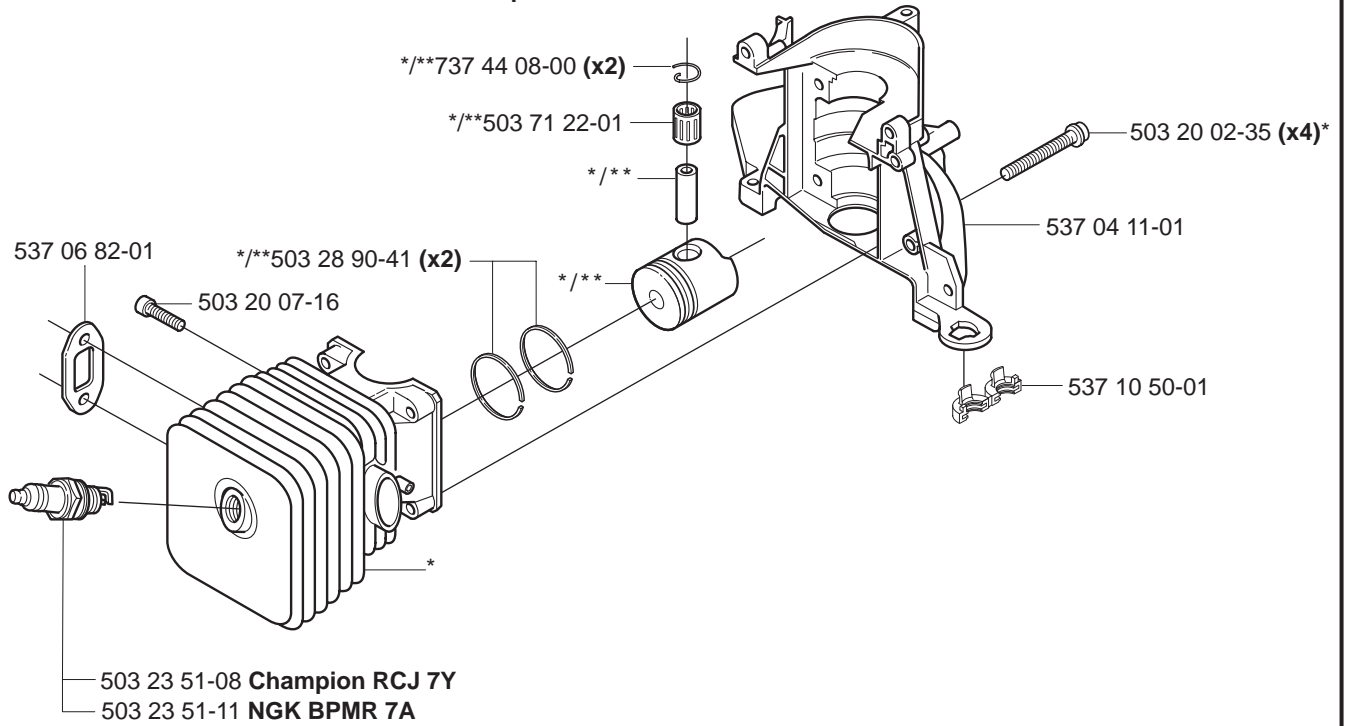


D

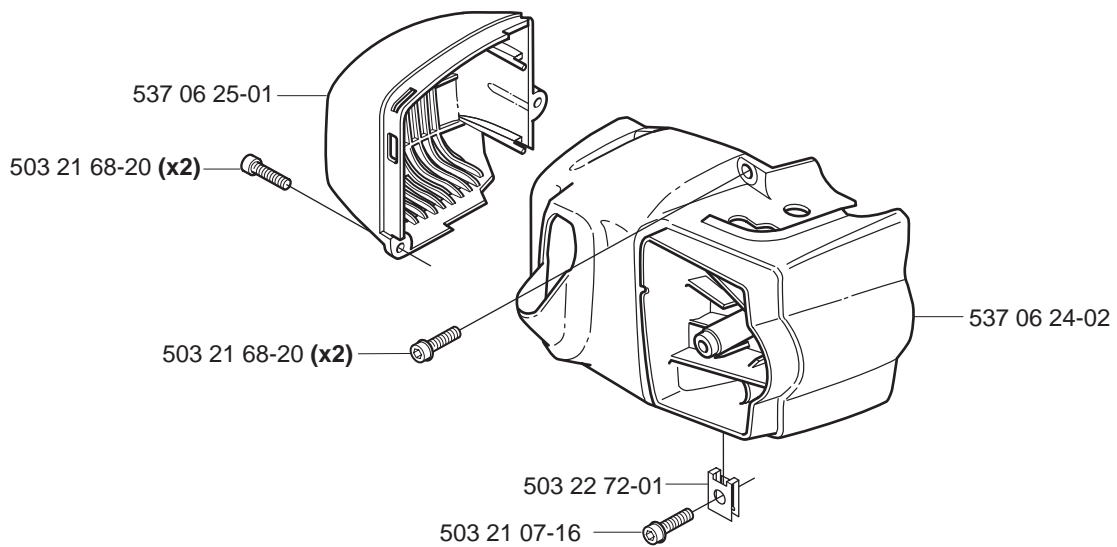


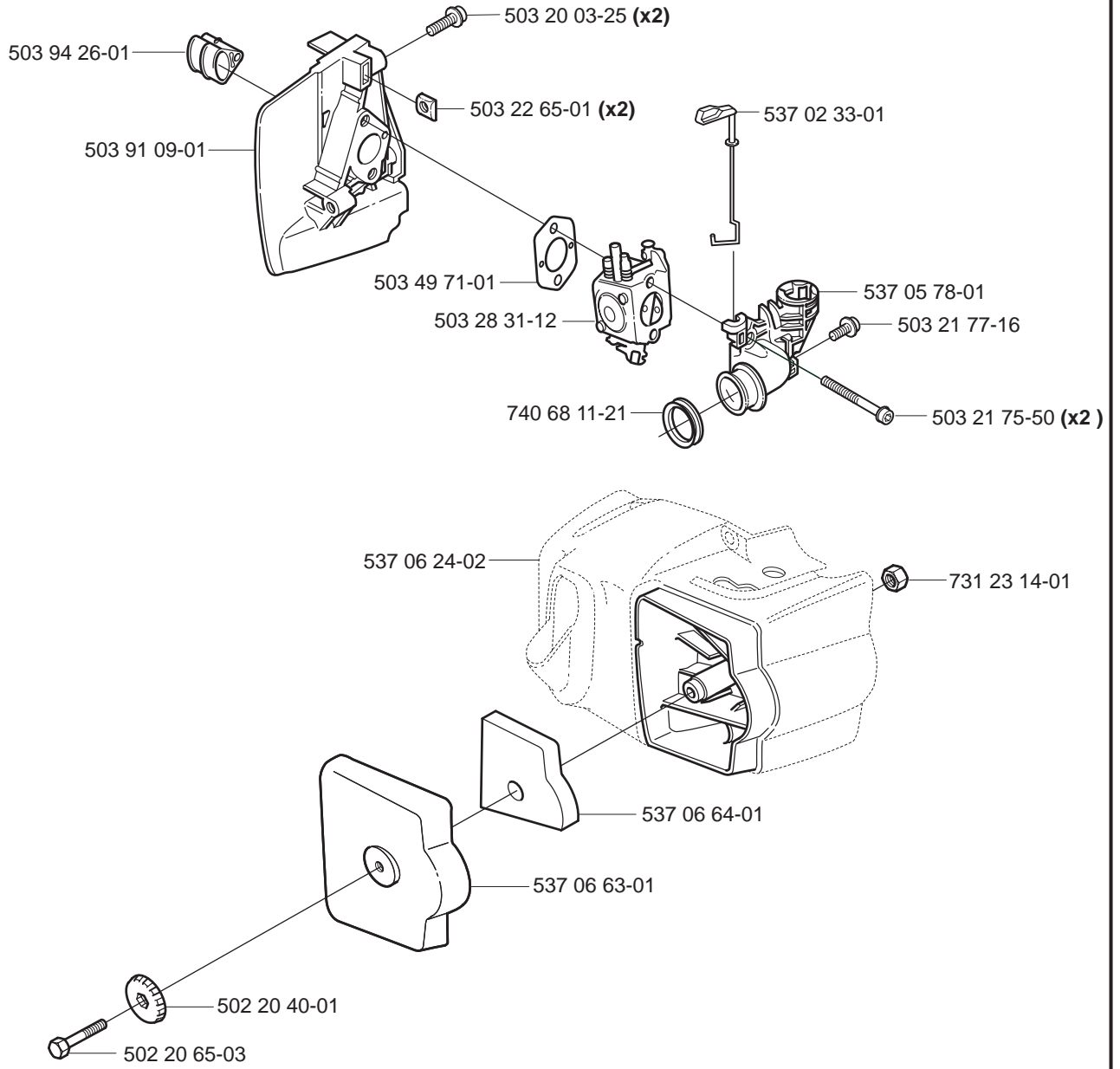
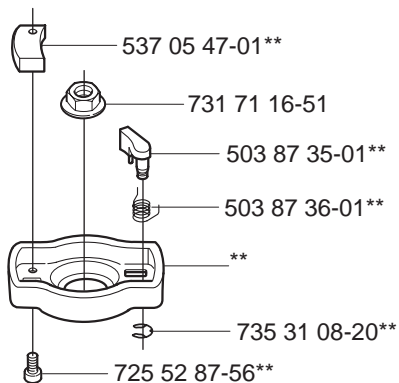
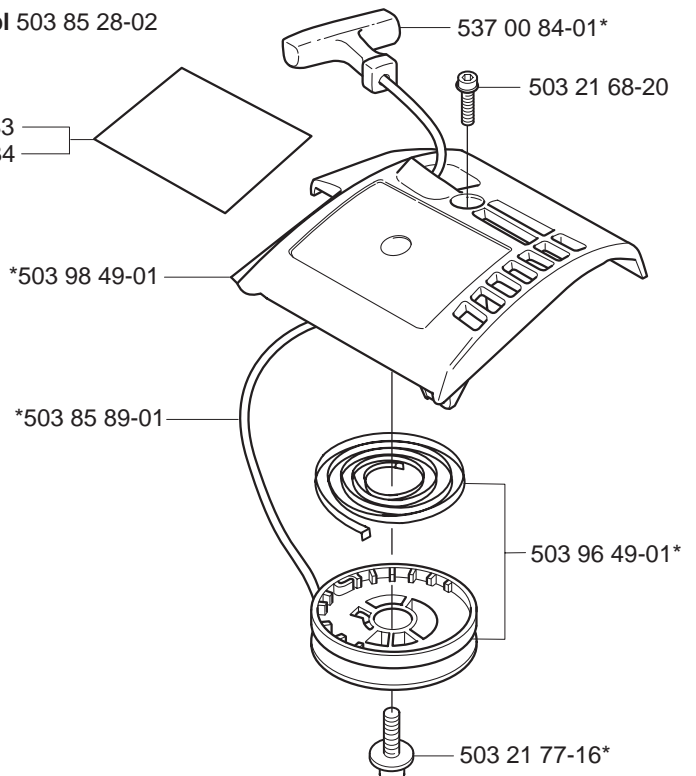
*compl 537 03 20-05

**compl 537 01 32-75



F



G**H**503 97 98-33 **325HS75**503 97 98-34 **325HS99******compl 503 87 33-03*****compl 503 85 28-02**503 97 98-33
503 97 98-34***503 85 89-01****503 96 49-01***

503 21 77-16*

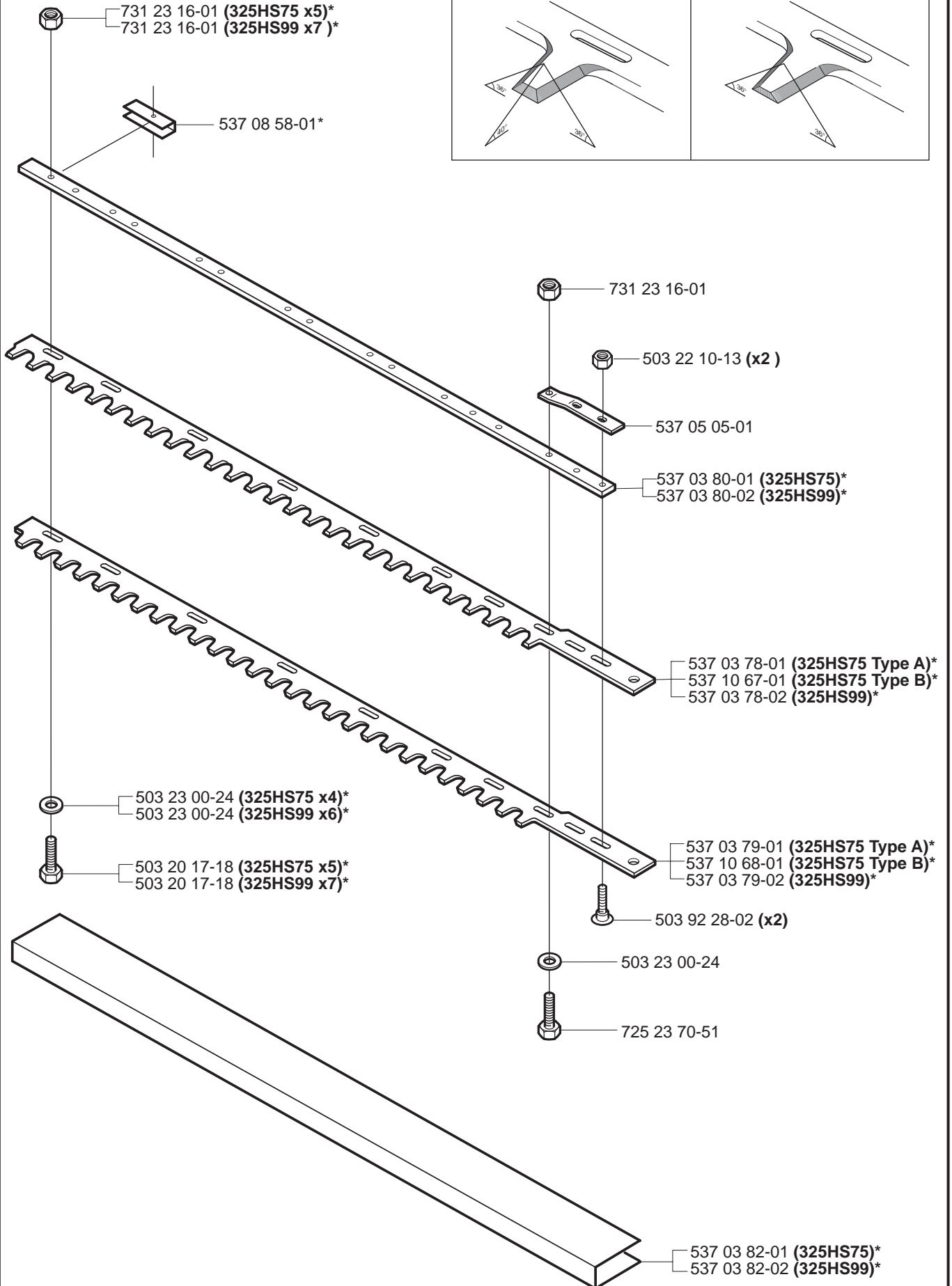
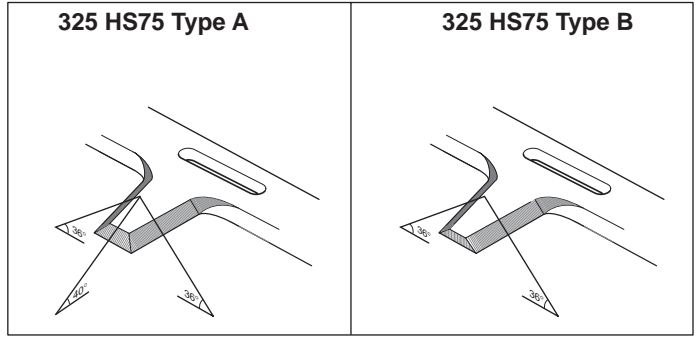
537 00 84-01*

503 21 68-20

***503 98 49-01**

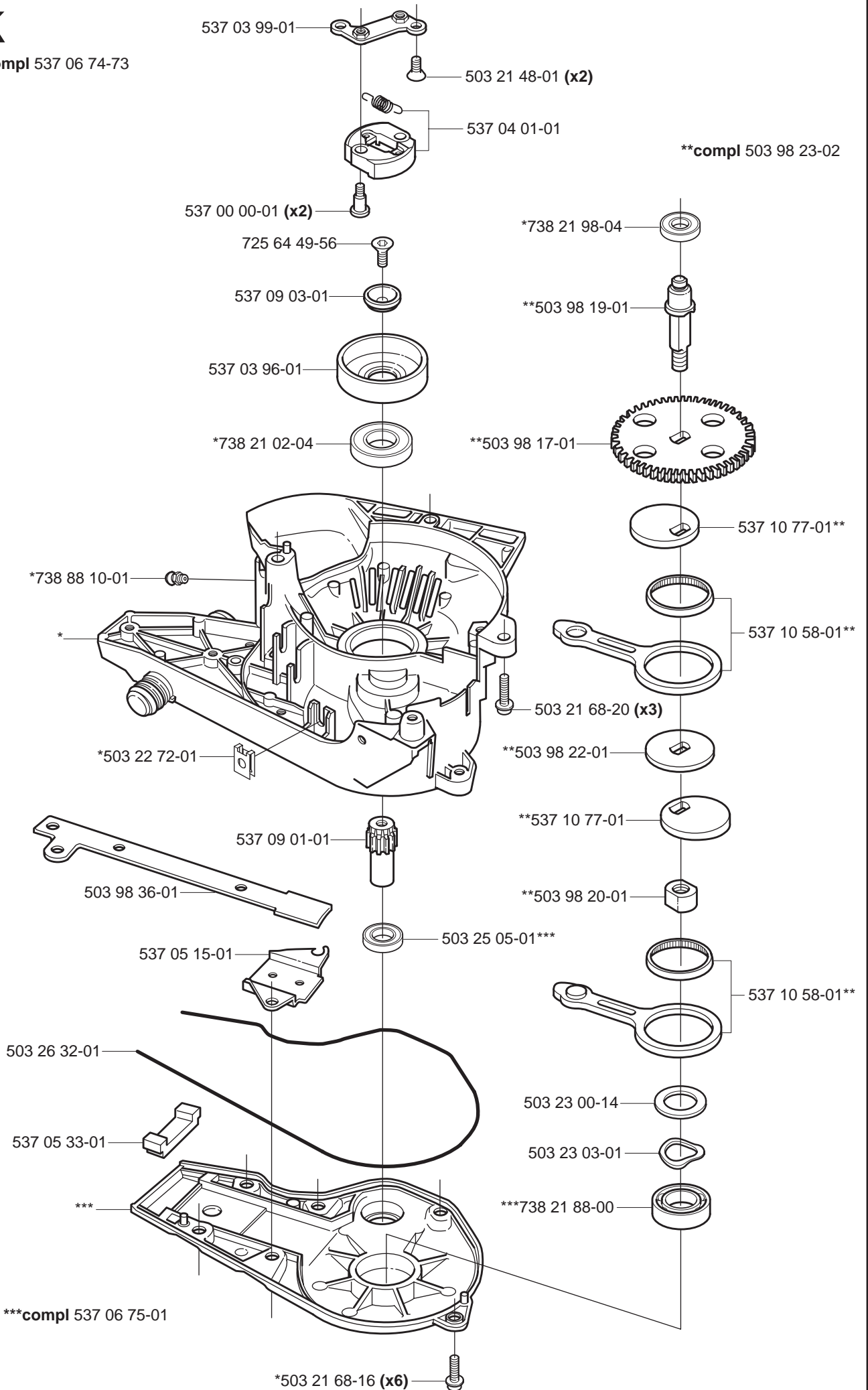
J

*compl 537 03 77-01 (325HS75 Type A)
 *compl 537 03 77-03 (325HS75 Type B)
 *compl 537 03 77-02 (325HS99)



K

*compl 537 06 74-73

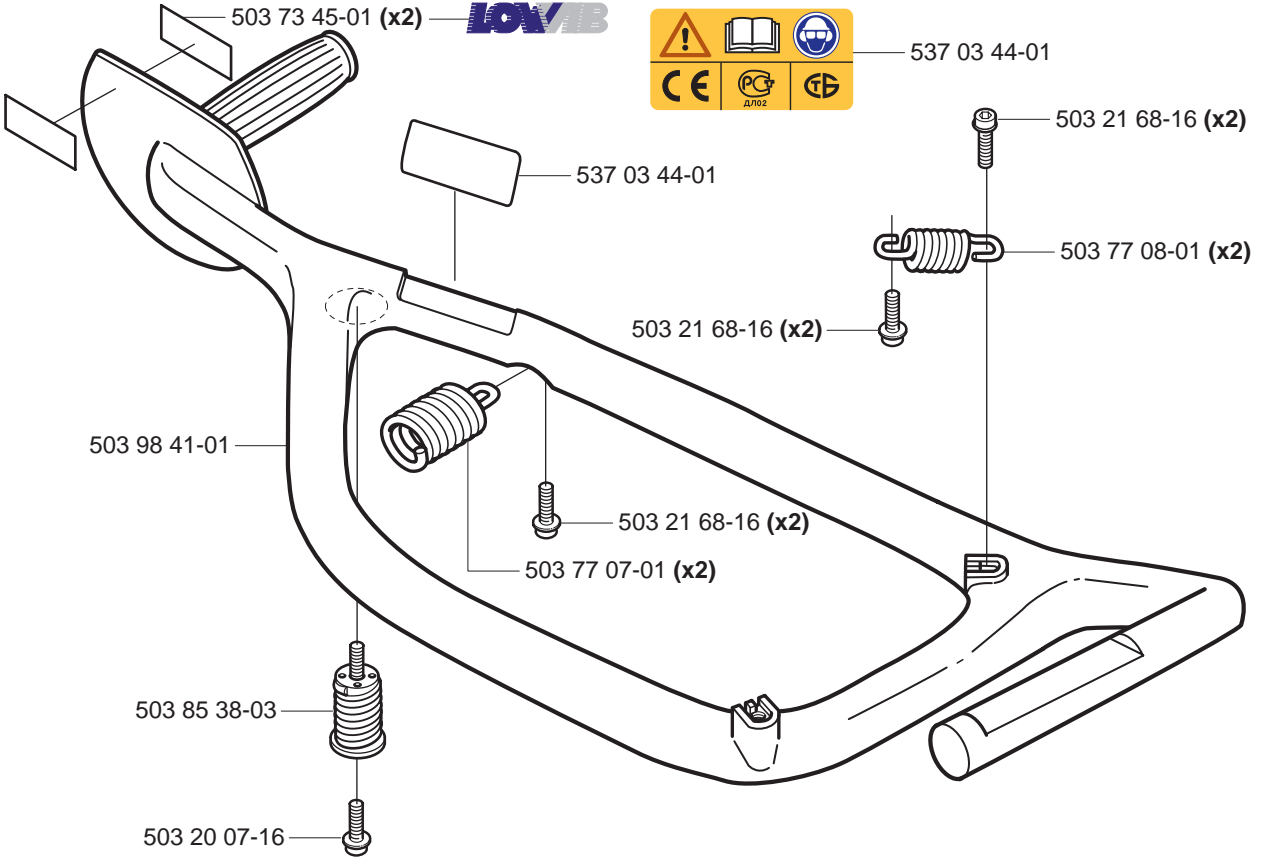


L

503 73 45-01 (x2)



537 03 44-01



503 21 68-16 (x2)

537 03 44-01

503 77 08-01 (x2)

503 21 68-16 (x2)

503 98 41-01

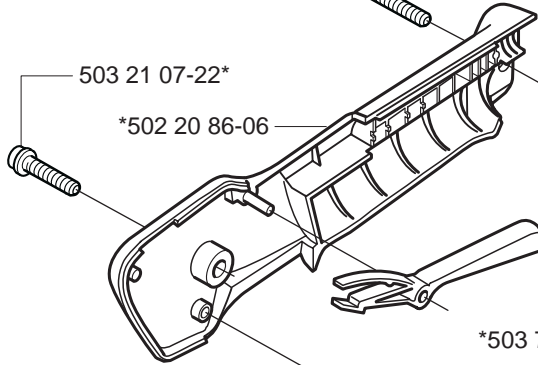
503 21 68-16 (x2)

503 77 07-01 (x2)

503 85 38-03

503 20 07-16

503 20 02-40



503 21 07-22*

*502 20 86-06

*compl 503 98 42-01

502 19 94-01*

503 22 65-04

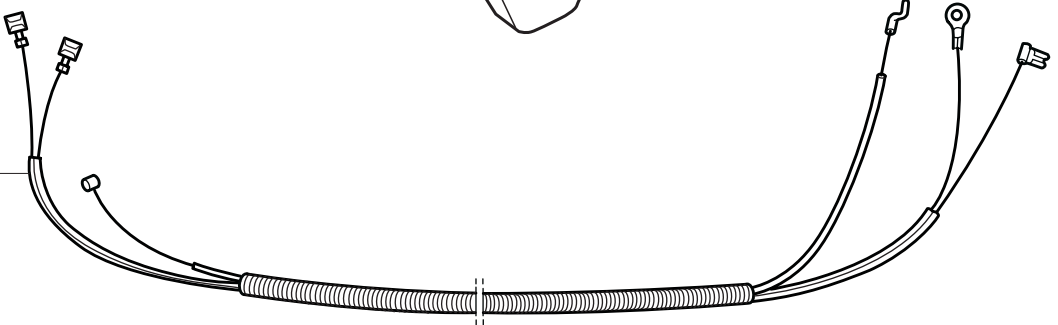
*503 71 82-01

*502 19 92-01

*503 79 41-01

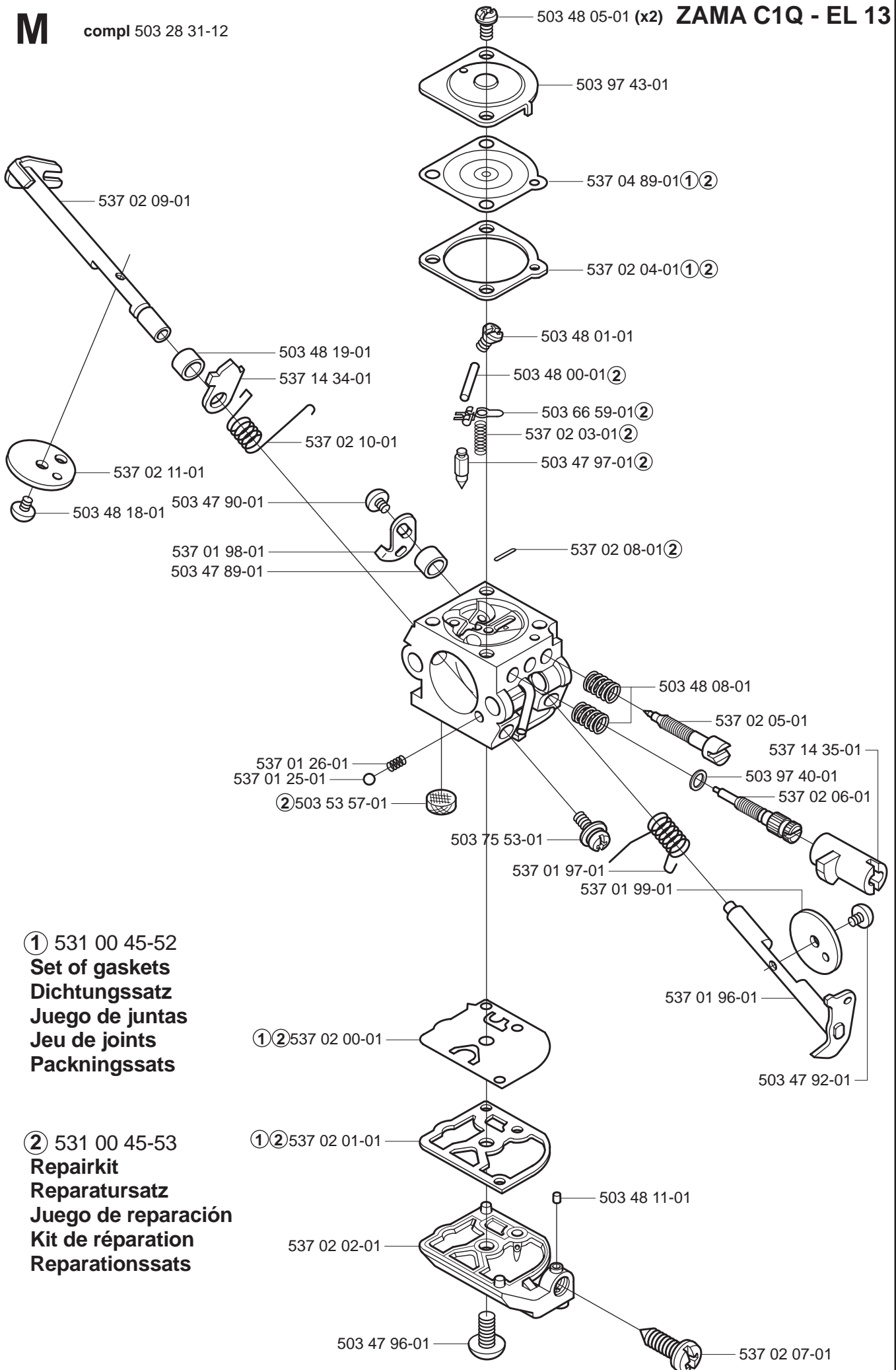
502 20 85-06*

*537 05 20-01



M

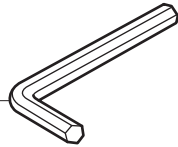
compl 503 28 31-12

ZAMA C1Q - EL 13

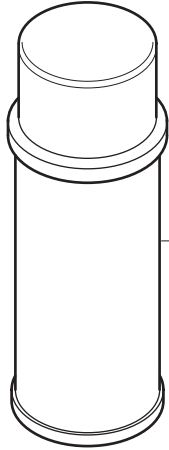
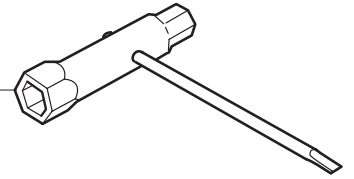
N Accessories
Zubehöre
Accessoires
Acessorios
Tillbehör

*compl 502 21 60-09

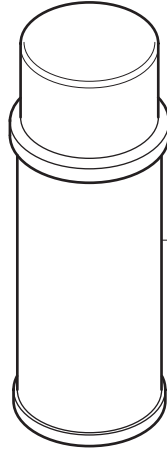
*502 21 58-01



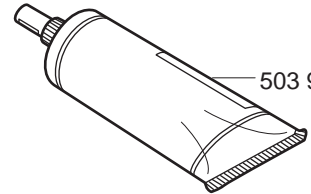
*501 69 17-01



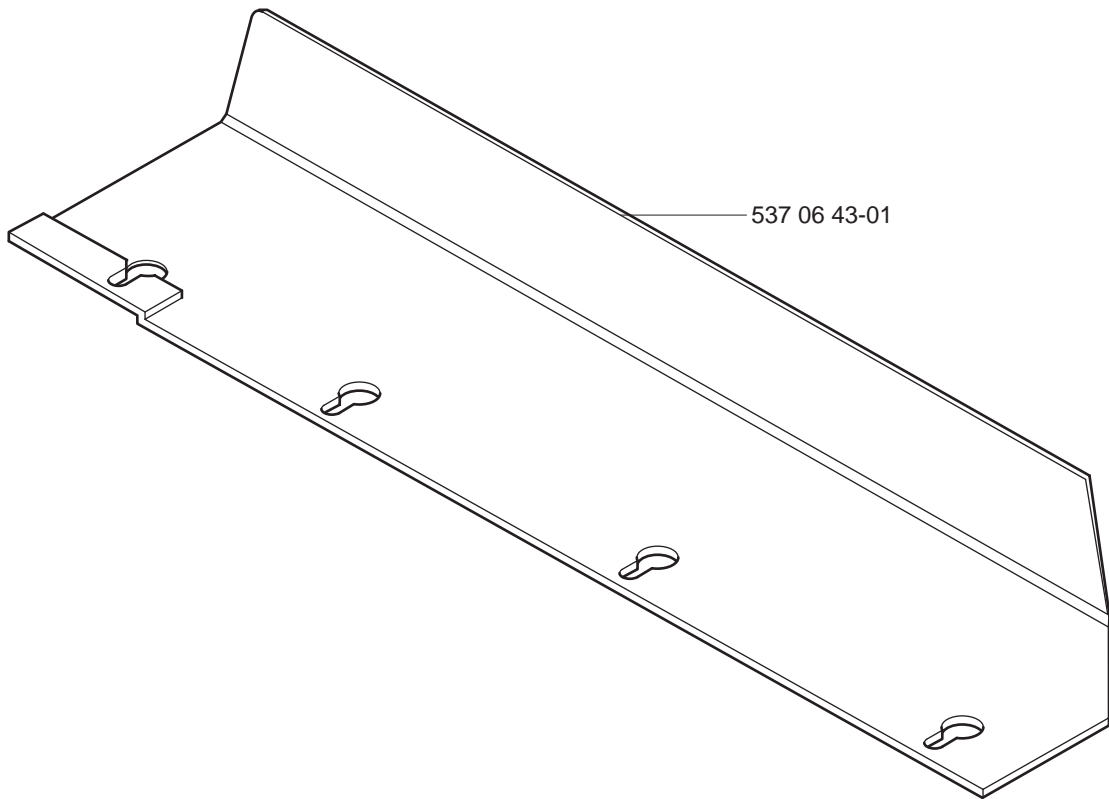
531 00 75-13 **UL22**



531 00 75-12 **UL21**



503 98 96-01*



537 06 43-01